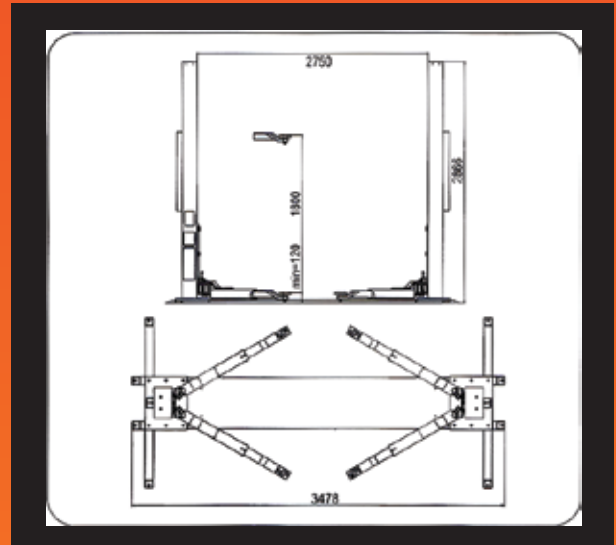


# SUPER HOIST PLUS

## Model Specifications Standard Floor Plate Two Post Lift



### QJY240B-E Specifications

<b>Lifting Capacity:</b>	4000Kg
<b>Lifting Height:</b>	1800mm
<b>Rise Time:</b>	50s
<b>Drop Time:</b>	18s
<b>Motor Power:</b>	2.2KW
<b>Power Supply:</b>	240/415V
<b>Overall Width:</b>	3478mm
<b>Overall Height:</b>	2666mm
<b>Width Between Posts:</b>	2760mm
<b>Gross Weight:</b>	700Kg

### Features

- Fully automatic
- Driven by double hydraulic cylinders, ascends and descends smoothly
- Self-locking protective device
- Automatic safety lock arms, can be locked at any height for safety
- Easy up and down operation with button electrical control box
- Chain type elevating system
- Stabilization system made from steel wire rope

